

Domino G-Series



Simple code formats

*For high-quality, high-speed printing of 1 & 2D codes, text and graphics on porous and non-porous substrates using **Thermal Ink Jet** technology*

The Domino G-Series is the only TIJ solution that has the ability to print with solvent based fluids onto a variety of substrates.

- High quality complex codes up to 600dpi
- High speed coding up to 300m/min
- Multi substrate fast drying inks
- Range of print heights from 12.7mm – 50.4mm
- Easy maintenance

MAIN FEATURES

Unique multi substrate fast drying ink

- Specially developed inks for permanent codes on non-porous substrates
- Single solution for printing onto porous and non-porous surfaces

High resolution printing

- High definition machine readable codes for enhanced traceability e.g. 2D datamatrix
- High speed multi-line capability

Easy maintenance

- Simple and clean cartridge fluid replacement
- Cartridge contains printhead and ink supply
- New printhead with each consumable change
- Simple operator training

Flexibility

- Ability to run multiple heads from single controller
- Built in Ethernet port so printers can be networked
- Simplified power on/off, no need for long shut down or start up procedures
- Prepare /edit messages while printer is running to reduce product changeover times



High quality codes on a wide variety of substrates



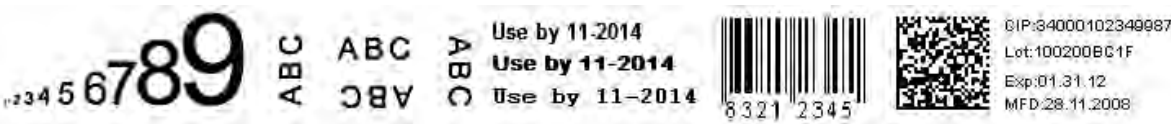
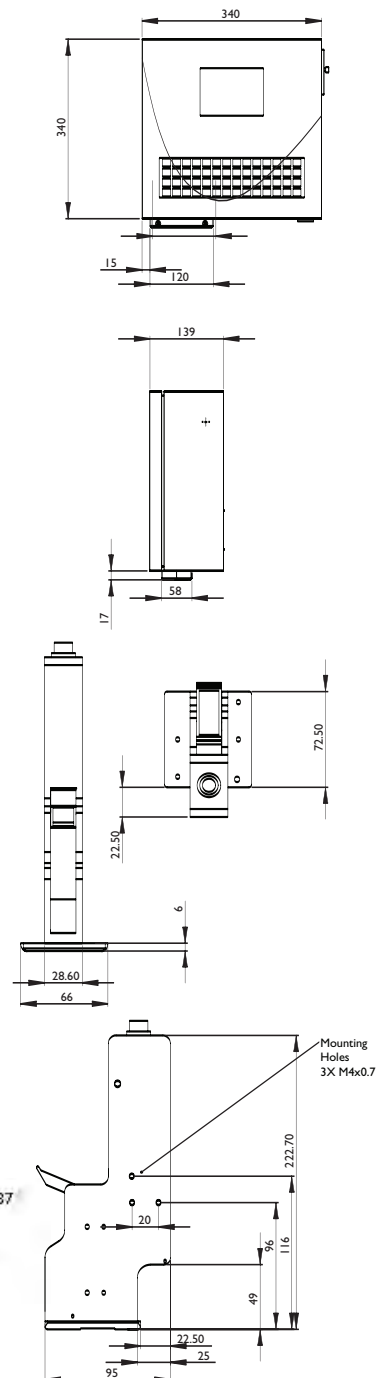
High speed printing of complex codes



TECHNICAL SPECIFICATIONS

CONTROL UNITS	G100	G200	G300
PRINTHEADS			
Number of printheads per controller	2	4	4
Number of print groups	2	2	4
Print speed	300m/min (984 ft/min) dpi dependant or 60 m/min @ 300dpi		
Maximum print height	25.4 mm / 1" (2 x 12.7mm)	50.8 mm (2") (4 x 12.7mm)	50.8 mm (2") (4 x 12.7mm)
Graphics		•	•
Barcodes (EAN 8, UPC-A, UPC-E, EAN13, Code39, EAN128, Code128, ITF14)		•	•
2D Barcodes (Datamatrix, GS1-128)		•	•
Fonts	Arial/Courier only	Unlimited	Unlimited
DIMENSIONS – CONTROLLER			
Length		340mm (13.38")	
Width		340mm (13.38")	
Depth		139mm (5.47")	
Weight		10 kg, 22 lbs	
PRINTHEAD – STANDARD			
Length		222mm (8.74")	
Width		95mm (3.74")	
Depth		28.6/66mm (1.13/2.6")	
Conduit length		5, 10, 25m available	
INKS		Water, Solvent Based	
RANGE SPECIFICATIONS			
Construction		Powdered coated steel	
User Interface		Graphical LCD	
Electrical Requirements		Voltage 90 – 264 VAC Frequency 47 – 440 Hz Power 80 VA	
Features		Ethernet Capable, RS232, Alarm output, CAN bus, BCD	

All dimensions in mm (inches).



Representation of print quality only, final quality is dependent on substrate and printer operating conditions.



ΚΩΔΙΚΟΠΟΙΗΣΗ · ΞΗΝΗΛΑΣΙΜΟΤΗΤΑ · ΔΙΑΧΕΙΡΙΣΗ ΠΑΡΑΓΩΓΗΣ

Αγ. Αθανασίου 17 Τ.Θ. 76
19002 Παιανία
marketing@theodorou.gr

Τηλ: 210 6690900
Fax: 210 6640200
www.theodorou.gr



www.domino-printing.com

