

## Automatic labelling all the essentials and more



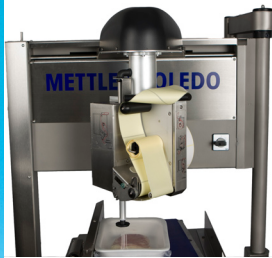
### Unique interface

All the Etica industrial products have an exceptionally intuitive graphical interface. The icons are easy to learn and the menus simply guide operators through processes quickly.



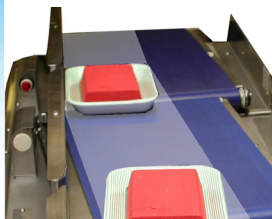
### Comprehensive

The extensive configurable weigh-price labelling features of the Etica product line meet every need. There are almost no limits with the Etica's simple, yet comprehensive, PLU, order and label management system.



### Position automatically

The revolutionary AP4-GYRO printer automatically labels at any desirable position. Once configured, operators choose the PLU and the GYRO head does the rest. The sensitive tamping mechanism gently places a label, without damage to the contents.



### Item positioning

The distinctive angled conveyor alignment belts guide the item into the correct position for labelling, eliminating the need for additional item steering equipment.



### Etica 7420G/7430G

The Etica 7420G/7430G are stainless steel automatic weigh price labellers for more heavy duty industrial applications, reaching capacities over 50 pieces per minute. As part of the Etica line of products, they share the common human to machine interface with the other Etica products. Operators effortlessly use the "intuitive" icons and menus to set up orders, PLUs and design labels. Required changes are completed with just a few presses of the touch screen display.

The revolutionary AP4-Gyro printer places labels anywhere on the article. Operators define the position on the user friendly screen and the AP4- Gyro handles the rest. Requiring no external air pressure, labelling is done by a soft touch tamping system.

Technical data

## Etica 7420G/7430G

### Automatic weigh-price labelling

#### Application features

- Up to 30 000 PLU items.
- 10 000 characters per ingredient list per PLU
- 255 tares, 4 programmable dates
- 4 levels of totals
- 3 levels of PLU classification (departments, families, and groups)
- Weight and tare up to 5 characters
- Price per article up to 8 characters
- Printed payment price up to 9 characters
- Libraries for texts, ingredients, and label layouts
- Integrated label editor
- On screen help messages
- Tracing incoming items with automatic barcode entry
- Effortless handling of a large amount of text through full screen display
- Simple on screen methods for handling article re-labelling, loss, return and cancellation
- Modes include variable weight/price, fixed weight, fixed price as well as no weight
- Multiple country prices and languages
- Printing of labels with manual fixed weight entry
- Printing and reading of barcodes EAN8, 13, 14, codes 39, 93, 128, ITF, UPC-A, UPC-E and 2/5 interleaved, EAN128 and PDF417
- Totals printed on labels by external printer

#### Data Management

- Advanced statistical functions
- Client database
- Order management
- Configurable reporting capabilities
- Event logs

#### User interface

- Intuitive programming through graphical display
- 40 keys + integrated virtual keyboard
- Keyboard ergonomically oriented towards user
- 10.4" touch screen SVGA TFT color display

#### Data storage and memory

- 512MB RAM
- 40GB Mass Storage
- Limitless number of logos and label definitions

#### Interfaces and host communication

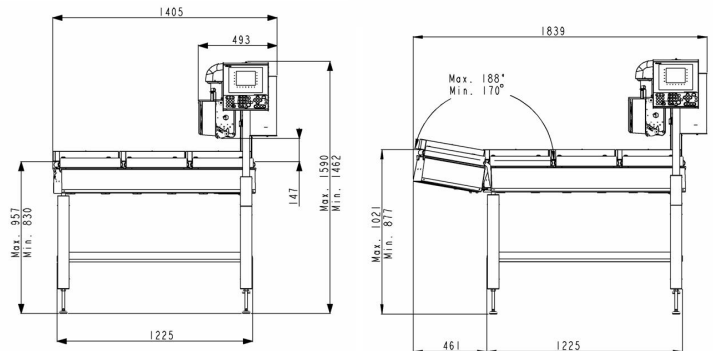
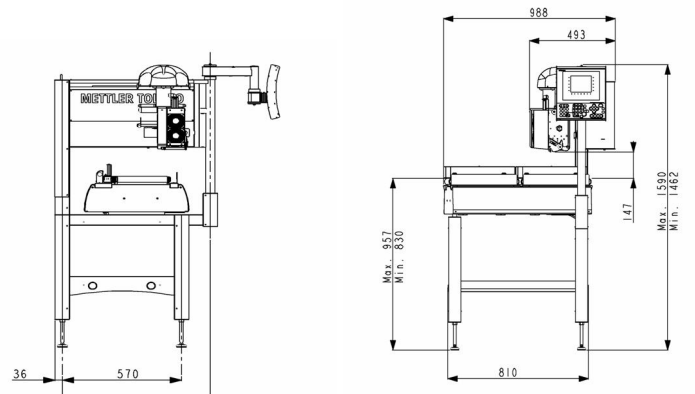
- Interfaces: RS232, Ethernet (10baseT) TCP/IP, 2 x USB and RS485 (optional)
- Host communication (batch) through METTLER TOLEDO ETITRANS
- "Real time" host communication through METTLER TOLEDO WALIS

#### Security

- Menus password protected
- Data security by storing data on a remote device
- Level defined operator passwords

#### Materials

- 100% ball blasted stainless steel
- Three conveyors stainless steel stand



Weight	Precision	Min. weight
6/12kg	2g/5g	40g
Min. weight	40g	100g

Tare compensation on all the ranges

Tray size	Max. 320x260mm	
Label size	Min. 60x60mm	Max. 80x80mm
Conveyor speed	36m/min	

#### Label application and printing

- Up to 50 labels per min. Cycle time depends on size of labels, number of characters, graphics printed as well as operator capabilities
- Label applied by a pneumatic stamp application
- Automatic printing in any position controlled through PLU
- Thermal direct (125mm/sec)
- Air suction system holds label in place prior to application
- Support Windows® fonts
- Support for various fonts and character sets (Cyrillic, Arabic, Chinese, Greek)
- Printing of multiple logos
- Label size max. 80x200mm, min. width at least 40mm
- Printable width 72mm
- Multi-directional printing
- Maximum role diameter 200mm
- Paper role support 76mm
- Connection to external printers

#### Options include:

- Interface RS485
- External printers
- Hand held barcode readers
- Fourth guidance belt for Etica 7430G



CODING · TRACEABILITY · MANUFACTURING EXECUTION

17, Ag. Athanasiou Str.  
19002 Peania, Greece  
marketing@theodorou.gr

Tel: 0030 210 6690900  
Fax: 0030 210 6640200  
www.theodorou.gr

[www.mt.com/iwpl](http://www.mt.com/iwpl)

For more information