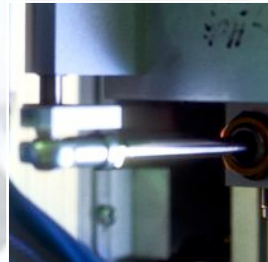


Print and Apply Solutions

Applicator Overview



The unknown art of applying a label...

When choosing Domino for your project you can be confident that we have the knowledge to get all the essential facts - that will ensure you have the best possible solution to your Print & Apply applications! This brochure is a short guide and example of what can be done - and what will have to be considered to achieve it!

Product speed, label size, shape, surface, operator handling, side to be labelled, environment... the list of different factors that you **MUST** consider if you want a good solution that will last for many years - can become very long.

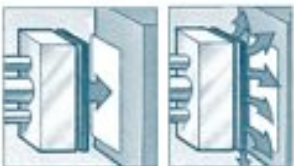
4 basic ways to apply the label



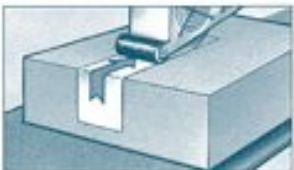
Blow
Fast, easy and cheap
Very limited distance
Not so accurate



Tamp
Most common
Fits most applications
Flexible distance, accurate



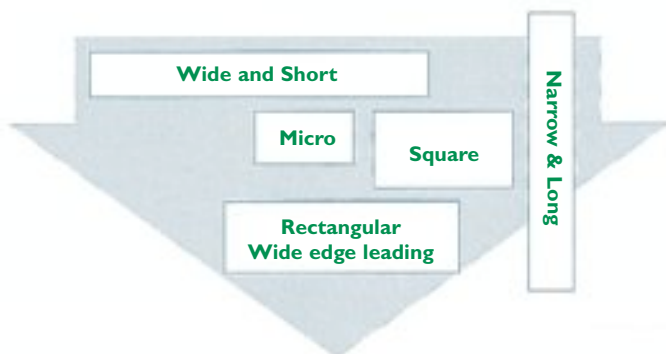
Tamp and Blow
Air Blow helps label stick
also on uneven surfaces



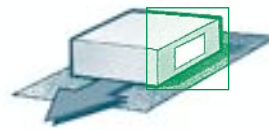
Wipe
The best way to apply
long labels

Label size and direction

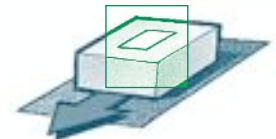
Size of label is always in respect to the Print direction.
You always mention the width and the length.
Example: A5 portrait label is 148 (w) x 210 (l) mm.



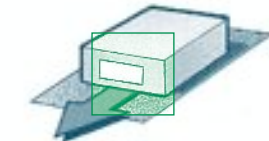
Where to apply the label



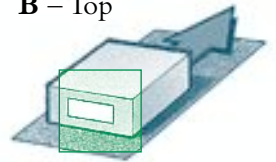
A - Side



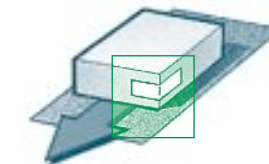
B - Top



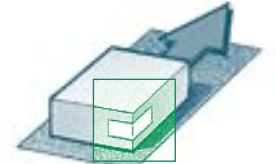
C - Front



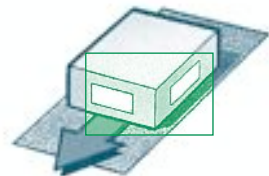
D - Back



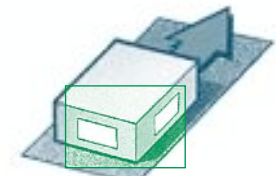
E - Front-Side (Corner)



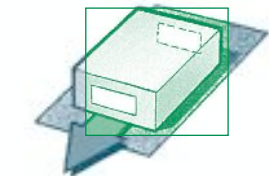
F - Side-Back (Corner)



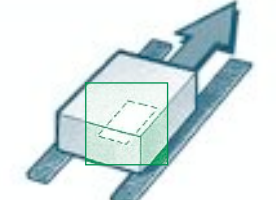
G - Front and Side



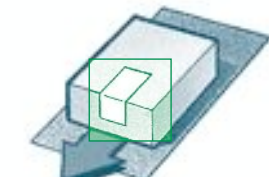
H - Side & Back



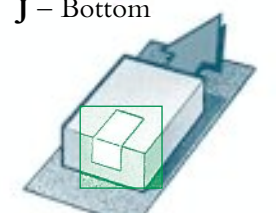
I - Front and Back



J - Bottom



K - Front-Top (Wrap)



L - Top-Back

Domino's wide product range...

We are proud to offer you the market's widest range of products and solutions within Print & Apply. With twelve models of print engines and over 60 different applicator solutions - there will be a solution that meets your application requirements!

Below you will find an overview of the most common variants / groups of applicators solutions. Further details and additional models / solutions - contact your sales representative.

A1160

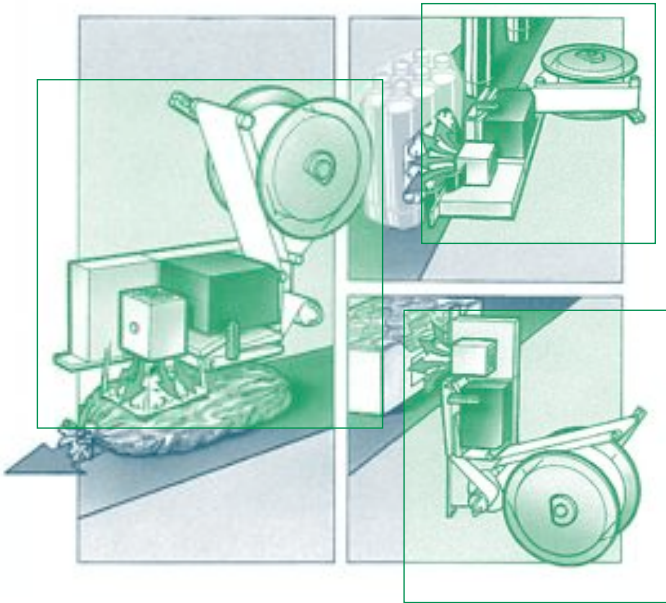
Apply where: Top/Bottom/Side

Distance: 0-50 mm

Recommended Label Size:

Min 40x40 Max 100x100

Information: Adjustable blow



A1170

Apply where: Top/Bottom/Side

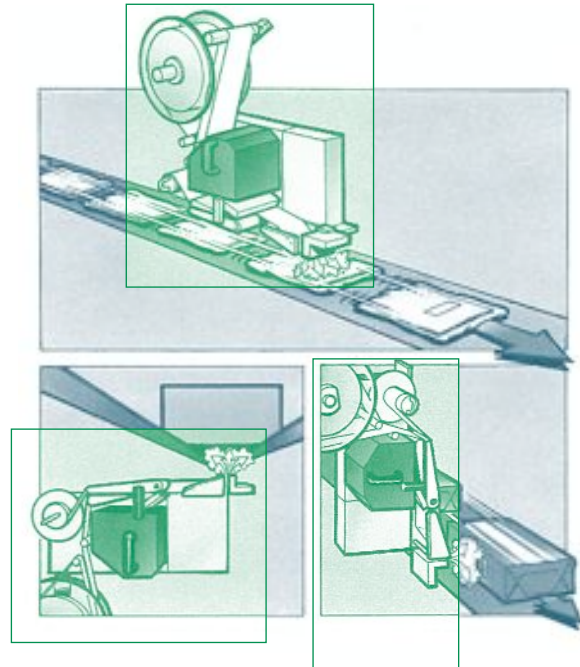
Distance: Approx. 50 mm

Recommended Label Size:

Min 20x20 Max 100x50

Information:

Adjustable beak. NOT 1:1 print/apply



A2170

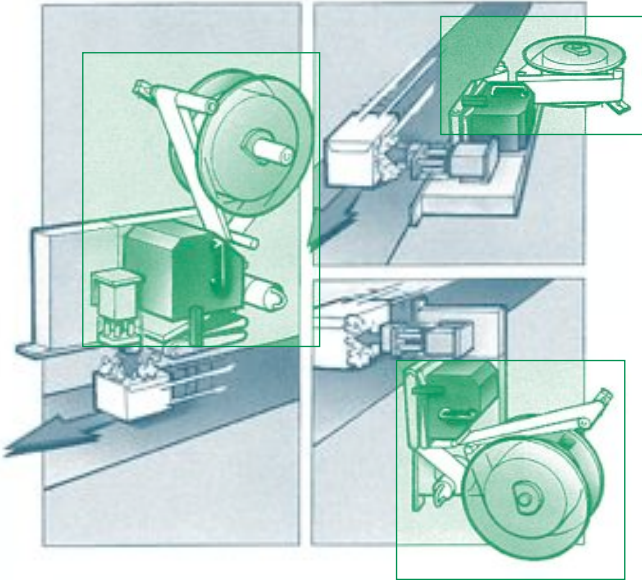
Apply where: Top/Bottom/Side

Distance: Approx. 50 mm

Recommended Label Size:

Min 20x20 Max 100x50

Information: Blow On with better accuracy



A2220

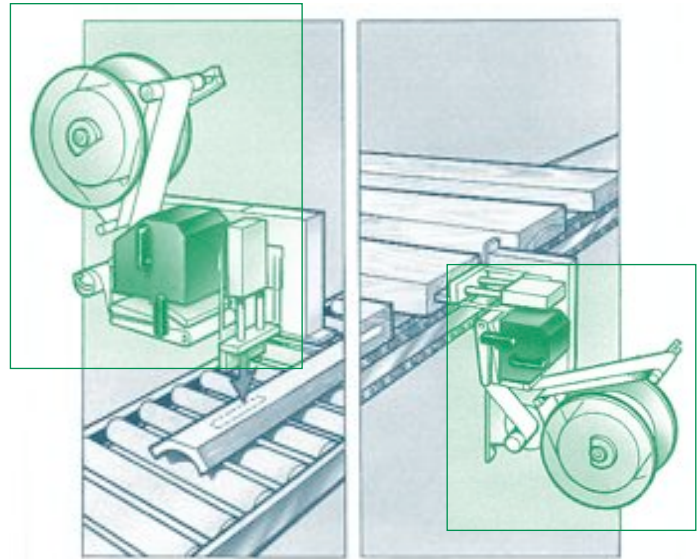
Apply where: Top/Bottom/Side

Distance: 0-1000 mm

Recommended Label Size:

Min 20x20 Max 210x160

Information: Small and medium size label



A2225

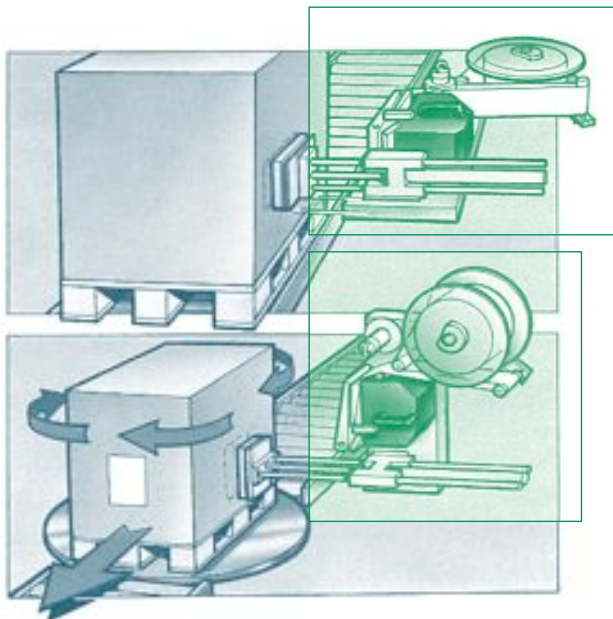
Apply where: Top/Bottom/Side

Distance: 0-1000 mm

Recommended Label Size:

Min 50x165 Max 210x300

Information: Large size labels



A2240

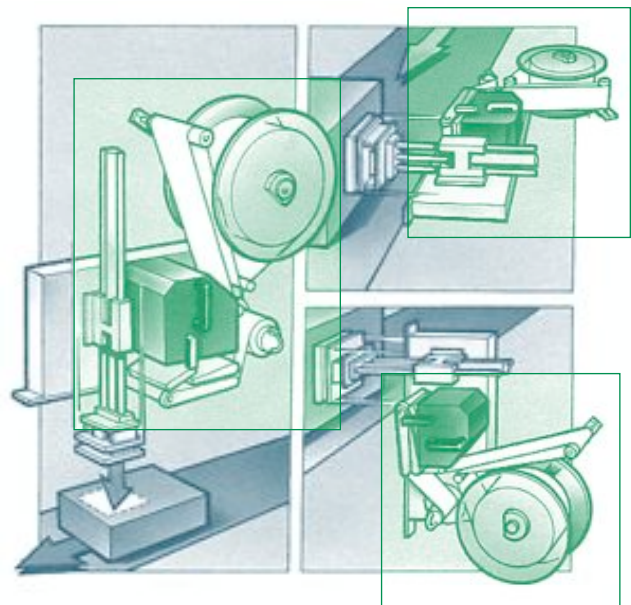
Apply where: Top/Bottom/Side

Distance: 0-1000 mm

Recommended Label Size:

Min 40x40 Max 210x160

Information: For labelling in dusty environments



A2335M / A2335M + M512

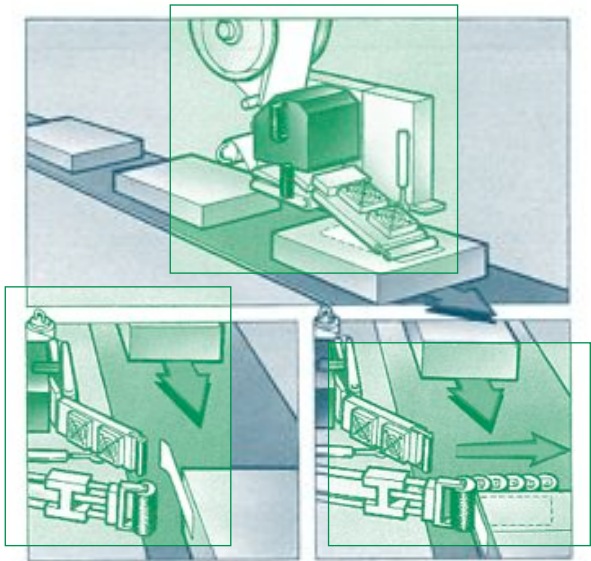
Apply where: Top/Bottom/Side or around a corner

Distance: 0-70 mm

Recommended Label Size:

Min 50x200 Max 160x350

Information: Side - back / Top - back with pusher



A3225

Apply where: Front or Back

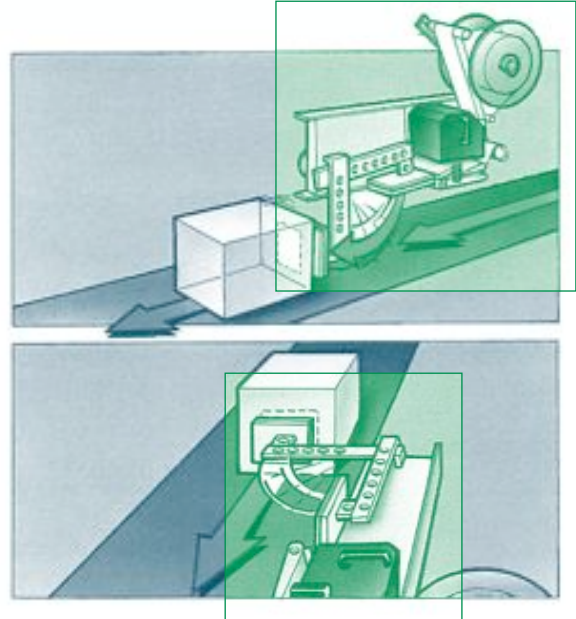
Distance: 0-400 mm

Recommended Label Size:

Min 20x20 Max 160x250

Information:

The label is applied on a moving product



A2385M

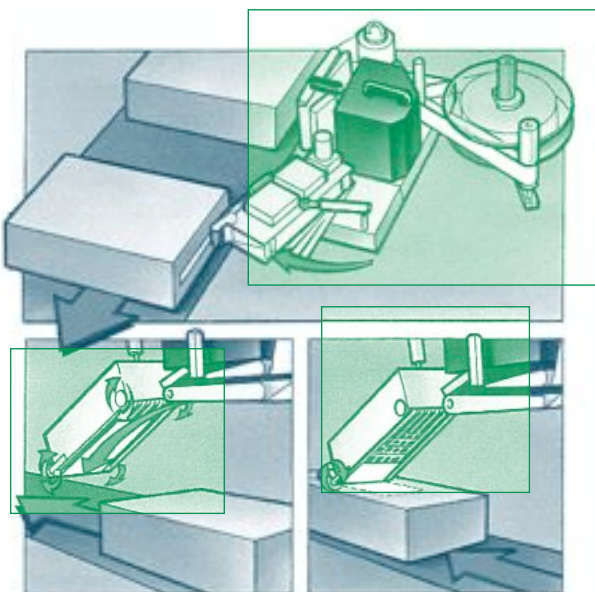
Apply where: Top/Bottom/Side or around a corner

Distance: 0-70 mm

Recommended Label Size:

Min 30x100 Max 160x500

Information: Side - back / Top - back with pusher



A8210

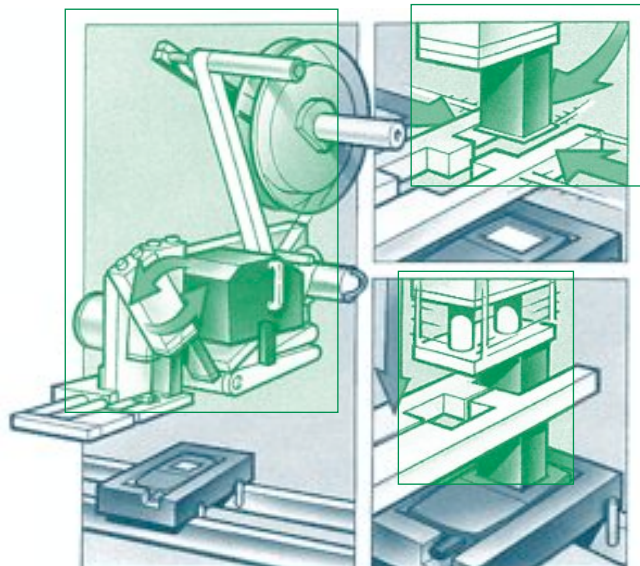
Apply where: Top/Bottom/Side

Distance: 0-100 mm

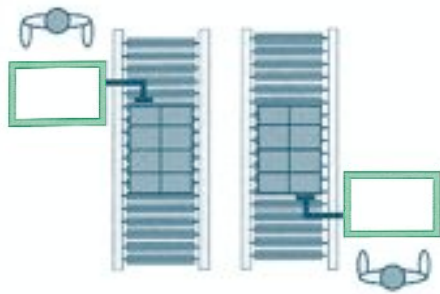
Recommended Label Size:

Min 5x5 Max 60x80

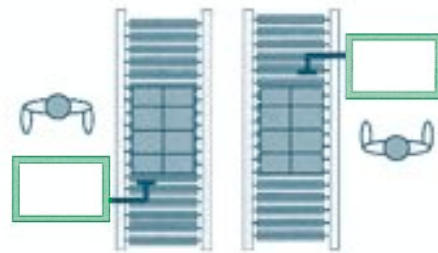
Information: The labels are applied with very high accuracy, $\pm 0,1$ mm



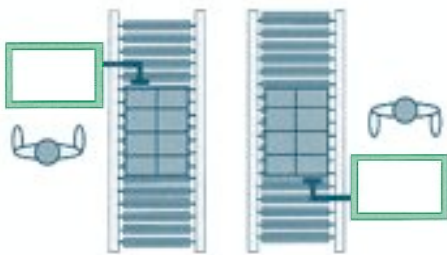
Handling Options for Pallet Labellers



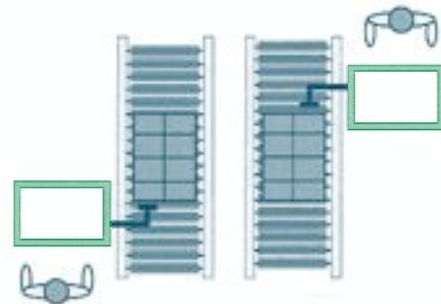
Left hand / Turning inwards [TI]



Left hand / Turning outwards [TO]



Right hand / Turning outwards [TO]



Right hand / Turning inwards [TI]

A6225 - T10

Apply where: Front and Side

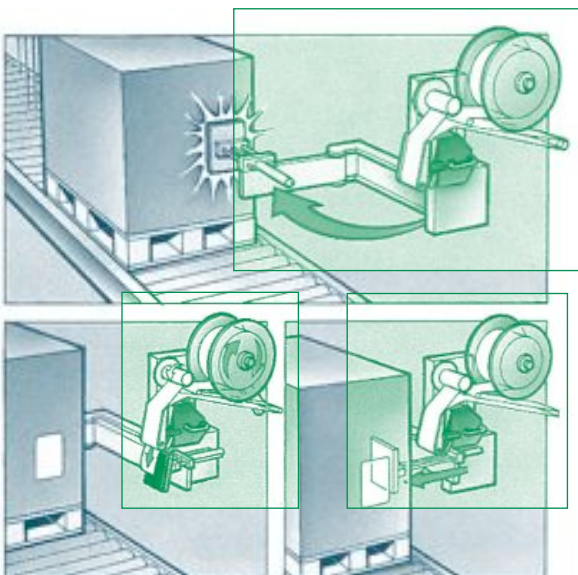
Distance: Approx. 200 mm

Recommended Label Size:

Min 50x50 Max 160x250

Information:

The labels are applied on a moving pallet/carton



A6225 - T12

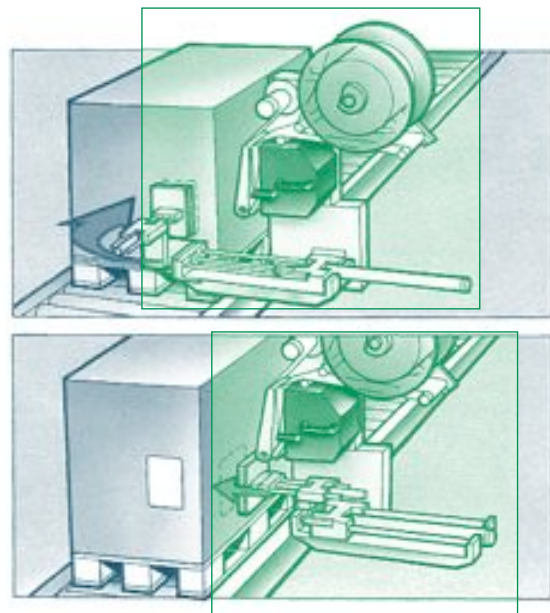
Apply where: Front and Side/Side and Back

Distance: 0-800 mm

Recommended Label Size:

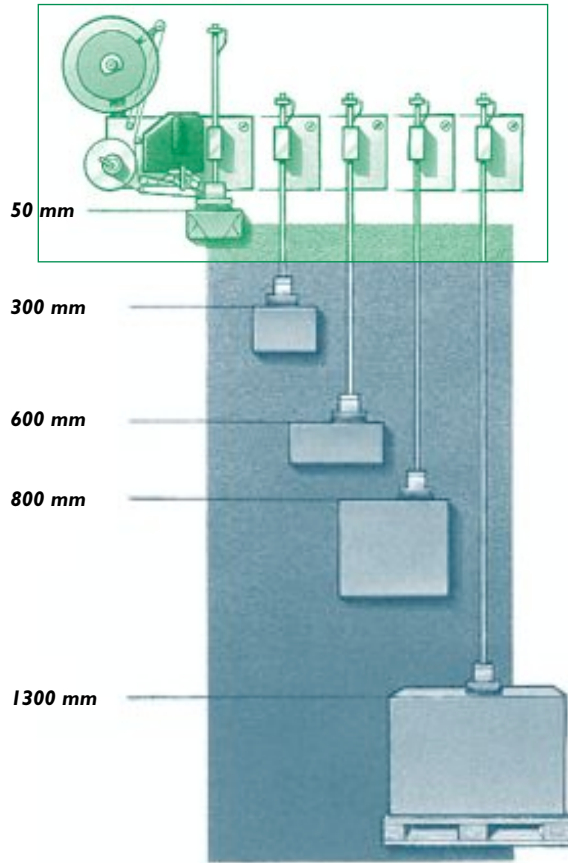
Min 50x50 Max 160x250

Information: One or two stops to apply the labels



The DISTANCE to the object

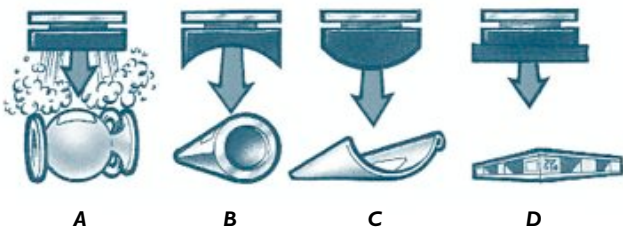
The distance to the object is important. The shorter – the better! 200 – 300 mm is very typical – but up to over 1 meter is possible (can be divided onto two or three cylinders).



The SHAPE of the object

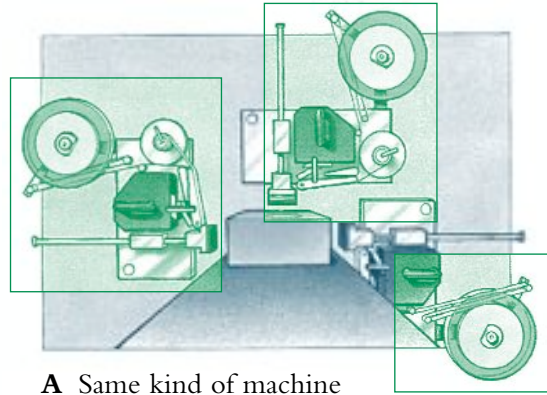
For perhaps 80% you have an even regular object/surface. For some cases it might however be more "tricky" and special considerations have to be made.

- A** For fragile and/or odd-shaped objects – BLOW on is best
- B** For convex objects like tubes, paper rolls etc – a concave press-on pad with built in air blow helps do the job.
- C** For concave objects – a convex press-on pad with built in air blow gets the label applied.
- D** For rugged surfaces like wood/pallets etc – a press-on pad with rubber coating makes the label stick.

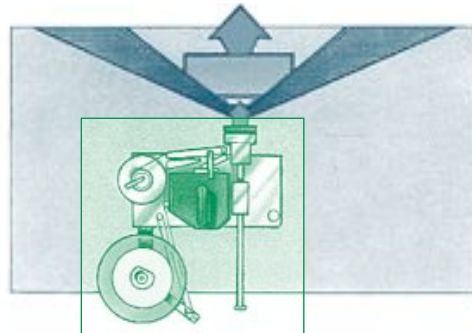


Operation and Mounting

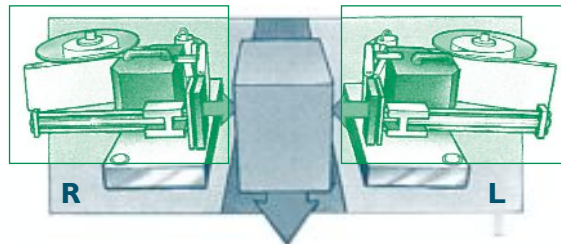
To optimise handling, performance and operation – all machines are available in both LEFT and RIGHT hand versions. Furthermore, they are designed so that they can be mounted in many different ways.



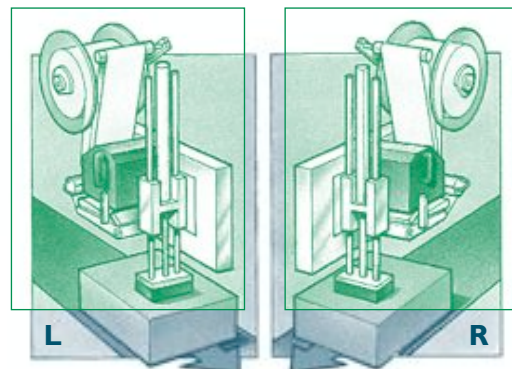
A Same kind of machine – mounted in different ways. Top-down or Side-in



B Also working from underneath
Bottom-Up – is possible



C Right hand and Left hand machines laying down on side – printing in the same direction as object is moving



D Left hand and Right hand machines working Top-Down



Domino Worldwide

Through an extensive global network of subsidiaries and distributors, Domino operates in over 120 countries. This network offers customers both sales support and access to highly skilled service teams, providing technical support packages to suit the varying production environments and customer requirements across the world.

AUSTRALIA

Domino (Australia) Pty. Ltd.
Unit 12
6 Gladstone Road
Castle Hill
Sydney
NSW 2154
Tel: + 61 2 9894 7833

CANADA

Domino Printing Solutions Inc.
2751 Coventry Road
Oakville
Ontario
L6H 5V9
Tel: + 1 800 387 7972

CHINA

Domino Coding Ltd.
No. 1150 Yun Qiao Road
Jin Qiao Export
Processing Zone
Pudong
Shanghai 201206
Tel: + 86 21 5050 9999

FRANCE

Domino SAS
ZA du Bel Air
2 Rue Mege Mouries
78120 Rambouillet
Tel: + 33 1 3046 5678

GERMANY

Domino Deutschland GmbH
Lorenz-Schott-Strasse 3
55252 Mainz-Kastel
Tel: + 49 61 34 25 050

INDIA

Domino Printech India
Private Limited
167, Udyog Vihar Phase I,
H.S.I.D.C Gurgaon -
122016 Haryana
Tel: + 91 124 400 7406

MEXICO

Domino Printing México
SA de CV
Calle 3 No. 47 Local 6F Col.
Industrial Naucalpan
53370 Edo. De México
Tel: + 52 55 5576 7979

NETHERLANDS

Domino Amjet BV
Ambachtsweg 8
3991 LH Houten
Tel: + 31 30 636 3333

SOUTH KOREA

Domino Korea Pte Ltd
1st-3rd Floor
Rich Town Building
694 Bokjeong-dong,
Sujeong-gu
Seongnam-city, Gyeonggi-do
461-200
Tel: + 82 2 797 1811

SPAIN

Domino Amjet Ibérica S.A.
Avenida Fuente Nueva No 14
28700 S.S. de los Reyes
Madrid
Tel: + 34 91 654 2141

UNITED ARAB EMIRATES

Domino UK Ltd (Dubai)
PO Box 16984
Jebel Ali
Dubai
Tel: + 971 4 88 35003

UNITED KINGDOM

Domino UK Ltd
Bar Hill
Cambridge
CB3 8TU
Tel: + 44 1954 782 551

UNITED STATES OF AMERICA

Domino Amjet. Inc.
1290 Lakeside Drive
Gurnee
Illinois 60031
Tel: + 1 800 486 7414



ΚΩΔΙΚΟΠΟΙΗΣΗ - ΙΧΝΗΛΑΣΙΜΟΤΗΤΑ - ΔΙΑΧΕΙΡΙΣΗ ΠΑΡΑΓΩΓΗΣ

Αγ. Αθανασίου 17 Τ.Θ. 76
19002 Πλατάνια
marketing@theodorou.gr

Τηλ: 210 6690900
Fax: 210 6640200
www.theodorou.gr

www.domino-printing.com