

Precise, compact and intelligent



Space saving design

Compact design which gives higher weighing accuracy and ensures easy and space saving integration into the production line.



Increased line efficiency

Intelligent user interface for product settings and optional statistics – fast, simple and reliable. Memory presets allow for a quick and easy change-over to another product.



Safety of your products

The rejection pusher reliably sorts the off-weight products – to protect your brand.

Good value for money: XC features proven weighing technology and a compact design.

This checkweigher range is designed for simple weighing tasks, with three weight zones for classifying underweight, good and overweight products ("policeman checkweighing"). Four variants with a weighing range up to 3 000 g or 6 000 g. Touchscreen operating terminal: high-contrast colour display mounted in the control cabinet features a simple user interface and also shows current data as well as your production history.

The optional data interface can be used for continuously transmitting the individual weight values to a printer or data capture system. Quick and easy installation and maintenance ensuring maximum system uptime.

Technical data

XC

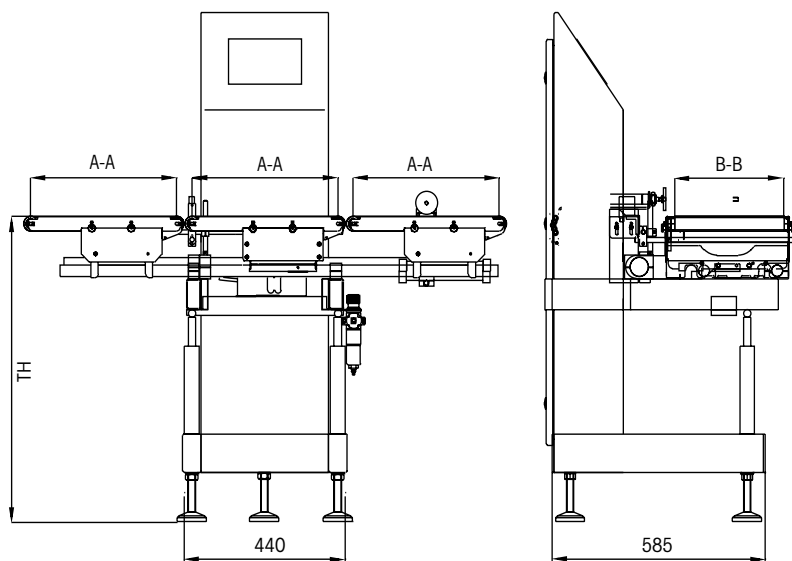
– the low cost alternative. Rugged and compact design.

Characteristics

- strain gauge weighcell (analogue)
- colour touchscreen terminal 5.7" (QVGA)
- operator-friendly menus
- 40 article memory presets
- indication of all current important weight data, production result and configuration screens
- classification into 3 weight zones
- manual or automatic re-zero
- belt speed continuously variable
- ingress protection degree IP54
- pusher for reliable rejection
- 100 - 230 VAC (auto-detect input), single-phase, 50/60 Hz, 450 VA

Options and accessories

- Weights & Measures design approval / MID certifiable
- statistics program
- PrintStick or printer for data output
- interface RS232 or Ethernet interface, for transmission of individual weights (as per GARVENS transmission protocol), e.g. for connecting to printers or data capture systems
- signal lights pole (red/green/yellow)
- reject by air jet in place of pusher
- pusher with rectangular push-plate and brush edge attachment
- different degrees of water ingress protection (IP 65, IP 66)



Schematic – typical dimensions, in mm
Checkweigher XC

* depending on the design and dimensions of the weighing belt used

** depending on the weight, dimensions and transport behaviour of the product to be weighed

Technical details

	XC	XC Plus
Weighing range, specific to article weight*	in the range 0 to 3 000 g	in the range 0 to 3 000 g
Accuracy**	from ± 0.5 g	from ± 0.5 g
Resolution	0.1 g / 0.2 g / 0.5 g / 1 g	0.1 g / 0.2 g / 0.5 g / 1 g
Throughput (weighings / minute)**	max. 100	max. 200
Roller centres (A-A) x belt width (B-B), weighing conveyor	250 x 200 or 400 x 300 mm	250 x 200 mm
Roller centres (A-A) x belt width (B-B), infeed/outfeed conveyors	250 x 200 or 400 x 300 mm	250 x 200 mm
Line height (TH)	750 - 950 mm (+/- 30 mm)	750 - 950 mm (+/- 30 mm)
Standard sorting / rejecting device	pusher	pusher
Water ingress protection degree	IP 54 (optional IP 65 available)	IP 54 (optional IP 65 available)

Technical details

	XC Heavy	XC HE
Weighing range, specific to article weight*	in the range 0 to 6 000 g	in the range 0 to 6 000 g
Accuracy**	from ± 0.5 g	from ± 0.5 g
Resolution	0.2 g / 0.5 g / 1 g	0.5 g / 1 g
Throughput (weighings / minute)**	max. 125	max. 200
Roller centres (A-A) x belt width (B-B), weighing conveyor	250 x 200 or 400 x 300 mm	250 x 200 or 400 x 300 mm
Roller centres (A-A) x belt width (B-B), infeed/outfeed conveyors	250 x 200 or 400 x 300 mm	250 x 200 or 400 x 300 mm
Line height (TH)	750 - 950 mm (+/- 30 mm)	750 - 950 mm (+/- 30 mm)
Standard sorting / rejecting device	pusher	pusher
Water ingress protection degree	IP 54 (optional IP 65 available)	IP 66



ΚΩΔΙΚΟΠΟΙΗΣΗ · ΙΧΝΗΛΑΣΙΜΟΤΗΤΑ · ΔΙΑΧΕΙΡΙΣΗ ΠΑΡΑΓΩΓΗΣ

Αγ. Αθανασίου 17 Τ.Θ. 76
19002 Παιανία
marketing@theodorou.gr

Τηλ: 210 6690900
Fax: 210 6640200
www.theodorou.gr

www.mt.com/garvens

For more information